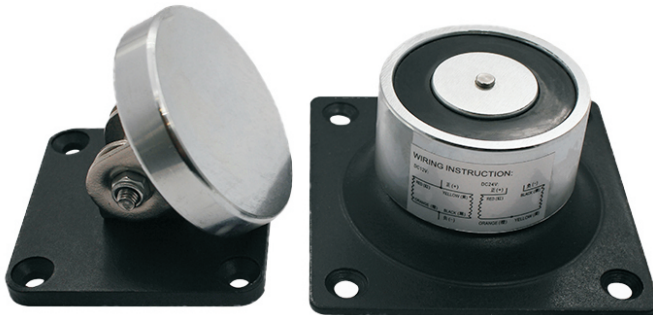


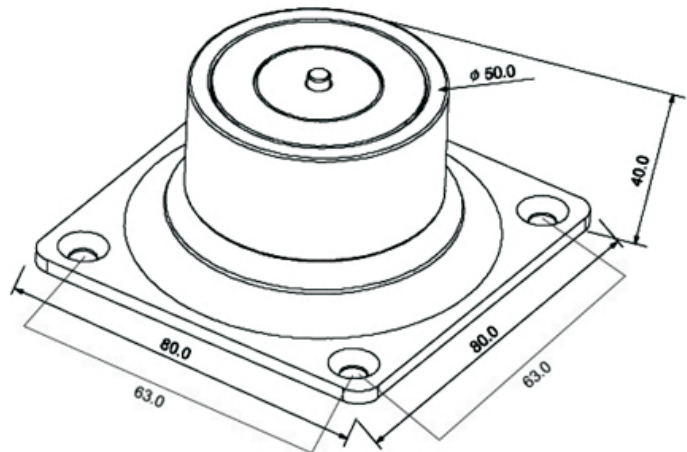
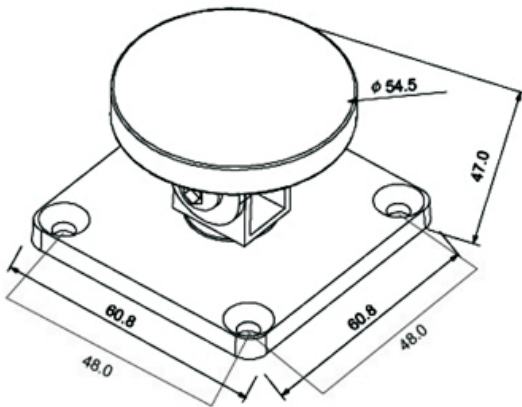
# Electromagnetic Door Holder

## Model:DAT-DH40



### ►... Key feature:

- Reliable Fail-Safe mechanism
- Low Power Consumption, Environmental Protection
- Manual door release button
- Automatically close the smoke proof door when fire happens
- MOV Provides Reverse Current Protection
- Anti-Residual Magnetism Design
- Professional Design, Dual Insulate Housing
- Floor and wall mount door holder
- 2 years warranty (warranty Service will be honored if the damage is not caused by human)
- CE & RoHS certificates available



### ►... Specification:

<b>Dimension:</b>	80*80*40mm
<b>Case Material:</b>	Zinc Alloy
<b>Current Draw:</b>	12V/1770mA, 24V/85mA
<b>Voltage:</b>	DC24V+10% (12VDC need order)
<b>Holding force:</b>	60KG (120LBS)
<b>Suitable for:</b>	All Kind of Single & Double Smoke proof Doors

<b>Operating Temp:</b>	-10~+55°C (14-131°F)
<b>Suitable Humidity:</b>	0~90% (relative humidity)
<b>Finishes for Shell:</b>	High Temperature Paint and Environmental Protection Zinc
<b>Service life:</b>	1,000 times the aging test pass
<b>Weight:</b>	0.85KG